

usb2can

Note:

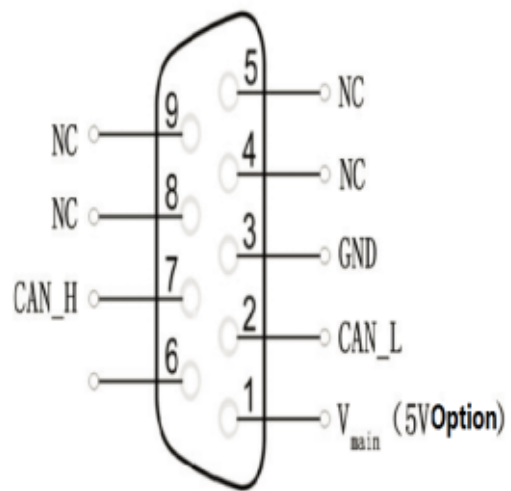
- Support Linux/Windows XP/7/8/10/Mac OS
- Github Address Full User Manual, Mac-OS, Windows Software <https://github.com/INNO-MAKER/usb2can>
- Raspberry PI System Image <https://www.jianguoyun.com/p/DWMNDn0QpdSrBxj5ldMD#dir=%2Fusb2can::mode=0>

- Note:
 - Technical Specification



Technical Specification

Connector	
CAN	D-SUB, 9 pins
USB	USB 2.0 Full-Speed, Micro USB
CAN Features	
Specification	2.0A (standard format) and 2.0B (extended format), ISO 11898-2 High-speed CAN
Data Rate	From 20kbps to 1Mbps can be programmed arbitrarily.
Isolation Voltage	1.5K VDC/min, 3K VDC/1s
Microcontroller	STM32F0, 48MHz
Termination	120 Ohm resistor selectable jumper
CAN Transceiver	ISO1050DUBR ,Texas Instruments
Other	
Work Temperature	-40°~ 85°
Relative humidity	15-90%, not condensing
PCBA Size (L * W * H)	56.50mm * 31.20mm * 14.20mm
Weight	15.5 g



Pin	Description
	5V/150ma output .
1	Weld 0 resistor on R9 to enable this function(close to the jumper).
2	CANL bus line (dominant low)
3	CAN_GND
4	NC
5	NC
6	NC
7	CANH bus line (dominant high)
8	NC
9	NC